



► Model 371LED

Commander® LED

360-Degree Rotating Warning Lights



Model 371LED warning lights have an array of 12 powerful LEDs arranged below a reflector. The reflector focuses the light from the LEDs into a high intensity beam and rotates 360 degrees.

The LEDs, reflector and motor module are sealed under a polycarbonate dome which completes a water-tight, dust-tight enclosure.

Model 371LED is available in five colors: Amber, Blue, Clear, Green and Red. The dome and ring assembly simply screws on, providing access to the interior of the light.

The 371LED base features electrostatically applied black powder paint for greater corrosion resistance. Wiring can be routed through the pipe-mount opening in the bottom of the light or the two side knockouts can be used for side entry wiring. Installation can be surface or 1-inch NPT pipe mount. An optional 22.5° reflector is available for ceiling mounted applications. Optional wall and corner mount brackets are available.

The 371LED is Type 4X, IP66 rated, UL and cUL Listed.

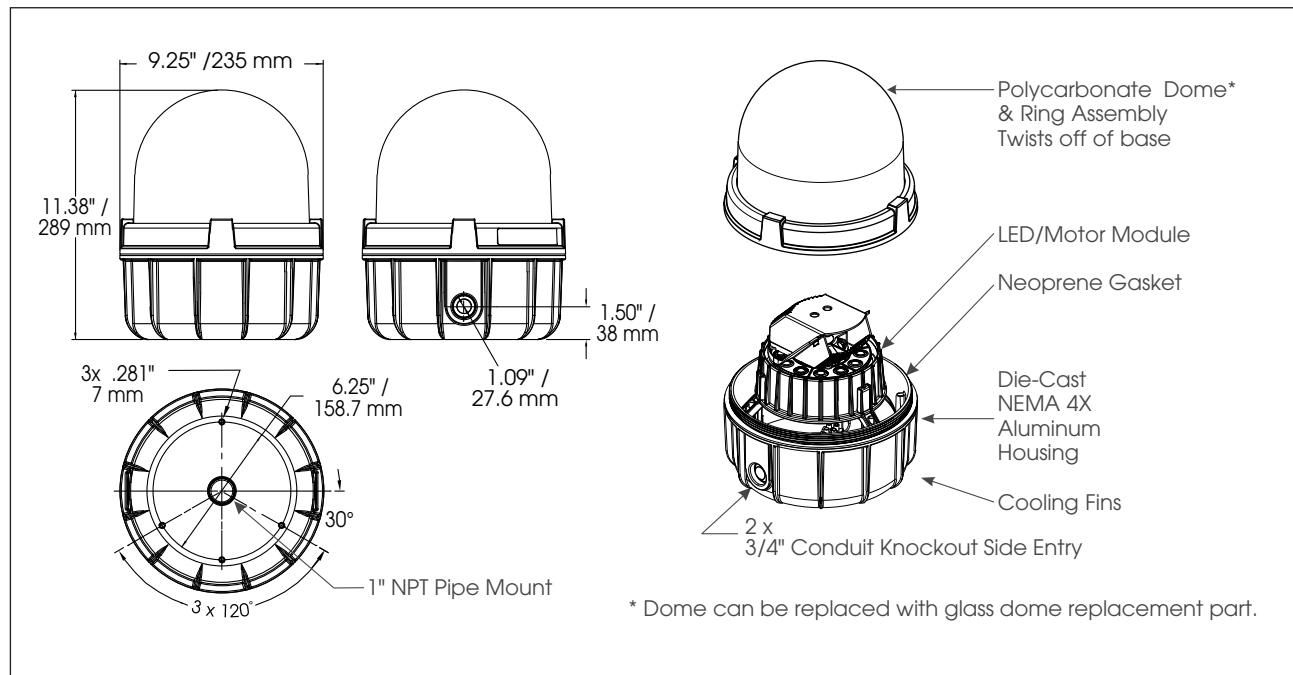
FEATURES

- Available in 120VAC
- 371LED is available in five dome colors
- 50,000 hour LED light source
- Surface mount and integrated 1-inch NPT pipe mount
- Type 4X, IP66 enclosure
- UL and cUL Listed

MODEL	VOLTAGE	OPERATING CURRENT	FLASH RATE/ MINUTE	CANDELA	MOUNT
371LED-120_*	120VAC 50/60Hz	320 mA	60	15,000	1" NPT Pipe/Surface

*Indicates color: (A) Amber, (B) Blue, (C) Clear, (G) Green or (R) Red

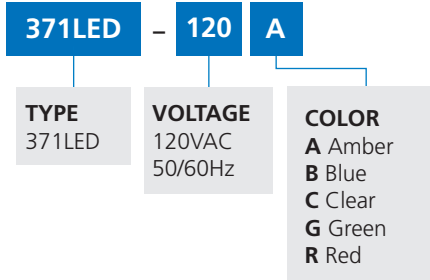
Commander® LED Light (371LED)



SPECIFICATIONS

Lamp Life:	50,000 Hours	50,000 Hours
Light Source:	LED Array	LED Array
Operating Temperature:	-31°F to 104°F	-35°C to 40°C
Net Weight:	7.1 lbs.	3.2 kg
Shipping Weight:	8.1 lbs.	3.7 kg
Height:	11.38"	288.9 mm
Diameter:	9.12"	231.8 mm

HOW TO ORDER



REPLACEMENT PARTS

Description	Part Number
Series B Dome and Ring Assembly	
Amber Polycarbonate ¹	K8459125A
Blue Polycarbonate ¹	K8459125A-01
Clear Polycarbonate ¹	K8459125A-02
Green Polycarbonate ¹	K8459125A-03
Red Polycarbonate ¹	K8459125A-04
Amber Glass	K8459126A
Blue Glass	K8459126A-01
Red Glass	K8459126A-02
Gasket, Surface Mount	K8459127A
LED/Motor Module, Amber	K8459159A-A
LED/Motor Module, Blue	K8459159A-B
LED/Motor Module, White	K8459159A-W
LED/Motor Module, Green	K8459159A-G
LED/Motor Module, Red	K8459159A-R

¹ Includes 1 dome gasket

OPTIONAL ACCESSORIES

Description	Part Number
Corner Bracket	LCMB2*
Wall Bracket	LWMB2*
Solid Surface Mounting Bracket	371BRCKT
Shock Mount Kit	K8459A076C
3/4" Hub Kit	K8459138A
1" Plug Kit	K8459130A
22.5" Reflector	K8459154A

* Rated for NEMA 3R installations.